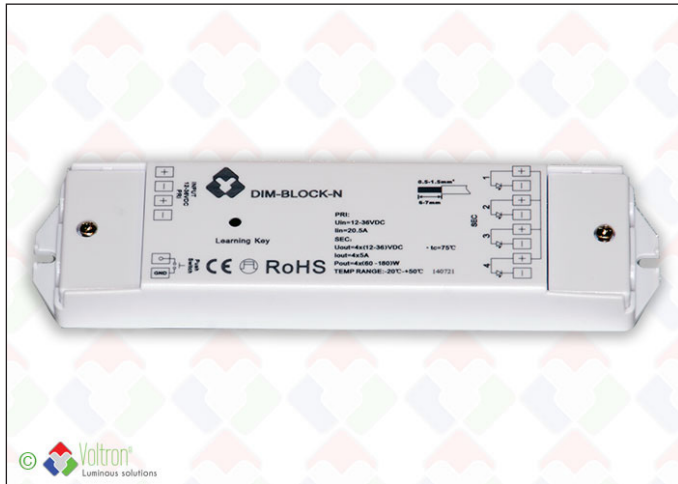
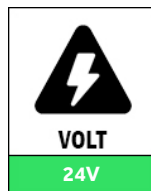
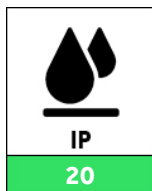
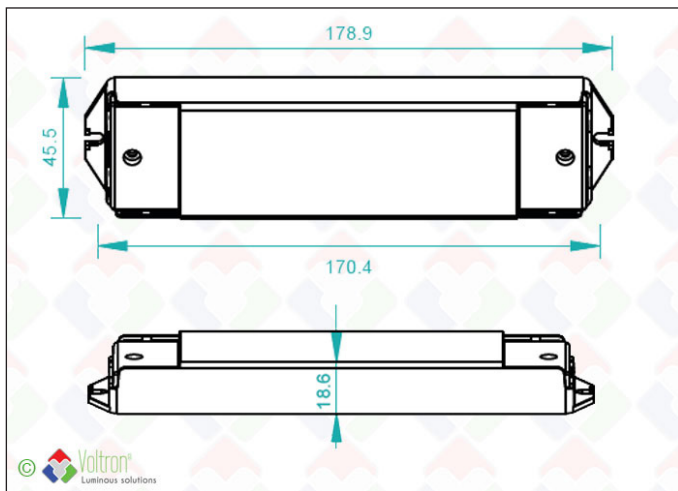


Dimming modules



DIM-BLOCK-N

VOLTRON® 4-channels LED dimmer DIM-BLOCK-N. Only for 24V constant voltage. Connected load 4x 5A (4x 120W max.). Communication with VOLTRON® RF remote control and/or push button. Always 1 dimmer per zone (these can be combined luminaires), multiple dimmers/zones can be connected per power supply > multi-zonal dimming in combination with VOLTRON® DIM-10Z. IP20, color = white, always 5 years warranty. For dimming luminaires such as The Flat Hanger™, The Flat Round™, The Flat Square™, mono-colored LED strips, ...



Technical data

Productnumber	Barcode	IP value	Voltage	Wattage
DIM-BLOCK-N	LH-1047	20	24V	24V:<180W
Length	Width	Height	Finish color	Constant voltage
17,89CM	4,55CM	1,86CM	White	V
RF controlled	Packed per			
V	1			

Specification text*

LED dimmer operating on 24V. Maximum connected load = 4x5A, at 24V = 4x120W. Possible to connect a voltage-free push button. Can be used with different types of remote controls such as: DIM-10Z, DIM-ST, DIM-MINI. Combination of different remote controls is also possible. Ideal for multi-zone setups. 5 year warranty. Remote control can be ordered separately.

* Available on the website

Areas of application

For use with: LED strips, The Flat Hanger, The Flat Round, The Flat Square / Only for 24V constant voltage / Dimming of 1 color strips / DIN rail dimmers for industrial or cabinet mounting / Dimmers can also be used with push button and / or remote control / Multiple dimmers can be set on the same remote control / Multi-zone dimming possible (ask more info for settings)

Extra information

All information, specification texts, photos, technical drawings, connection diagrams, photometric .LDT files can be found via this clickable direct link: https://www.voltron-lighting.com/product/EN/23/1047/Dimming_modules--DIM-BLOCK-N or can be requested through your contact person.

Direct link website



Product barcode



The Voltron® name and logo as well as product names are part of the Voltron® Lighting Group and are protected by national and international laws.

The usage rights, reproduction rights as well as the intellectual rights are the exclusive property of the Voltron® Lighting Group.

Voltron® pays a lot of attention to the correctness and completeness of the information. However, it cannot be held responsible for any inaccuracy and / or omission. All images and texts are protected under copyright law and may not be used or multiplied without express permission.