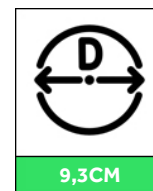
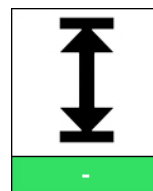
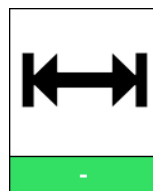
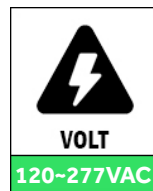
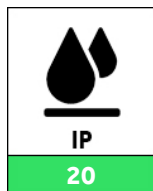
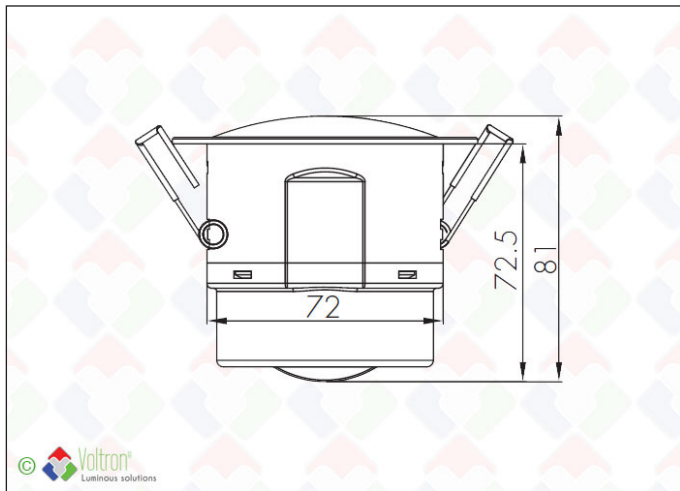


LED Eco Smart Controllers



SELC1

VOLTRON® SELC1 Eco Smart Controllers is a built-in detector with built-in daylight control. Equipped with 1-10V control. Potential free contacts (NO/NC). Built-in daylight sensor and infrared receiver. Detection range of 12 meters diameter with a suspension height of 6 meters. 800W capacitive power. Max standby consumption of <1W. Detection range adjustable at 10/50/75/100 percent. Equipped with a switch-off delay Test 2s/30s/1min/5min/10min/20min/30min. Standby period adjustable in time : 0s/10s/1min/5min/10min/30min/60min/+8. Standby dimmable level adjustable at : 10/20/30/50 percent. Class IP20 - Ø93mm - H=73mm - detection angle between 30 and 150°. Can be used in an ambient temperature between -20°C and +50°C. Always 5 years warranty. Remote control can be ordered separately: BIG-DAD-AB



Technical data

Productnumber	Barcode	IP value	Voltage	Wattage
SELC1	LH-1226	20	120~277VAC	<1W
Length	Width	Height	Diameter	Finish color
-	-	7,25CM	9,3CM	White
Packed per				
1				

Specification text*

Built-in detector with built-in daylight control. Equipped with 1-10V control. Potential free contacts. Built-in daylight sensor and infrared receiver. Detection field is 12 meters in diameter at 6 meters installation height (= see technical drawings for detection field versus installation height). On 230VAC max 800W capacitive. Max standby consumption of <1W. Detection field adjustable at 10% / 50% / 75% / 100%. Provided with a waiting period Test 2s / 30s / 1min / 5min / 10min / 20min / 30min. Standby period adjustable in time: 0s / 10s / 1min / 5min / 10min / 30min / 60min + 8. Standby dimmable level adjustable to: 10% / 20% / 30% / 50%. Microwave frequency 5.8 GHz: + - 75 MHz. Ip value of 20. Detection angle between 30 ° and 150 °. To be used in an ambient temperature between -20 ° C and + 50 ° C. Semko, CB, EMC, CE, R & TTE, SAA certified.

* Available on the website

Areas of application

Corridors / Industrial halls / Offices / Shops / Showroom / Classrooms / Meeting rooms / Storage

Extra information

All information, specification texts, photos, technical drawings, connection diagrams, photometric .LDT files can be found via this clickable direct link: https://www.voltron-lighting.com/product/EN/64/1226/LED_Eco_Smart_Controllers--SELC1 or can be requested through your contact person.

Direct link website



Product barcode



The Voltron® name and logo as well as product names are part of the Voltron® Lighting Group and are protected by national and international laws.

The usage rights, reproduction rights as well as the intellectual rights are the exclusive property of the Voltron® Lighting Group.

Voltron® pays a lot of attention to the correctness and completeness of the information. However, it cannot be held responsible for any inaccuracy and / or omission. All images and texts are protected under copyright law and may not be used or multiplied without express permission.